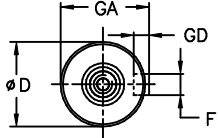
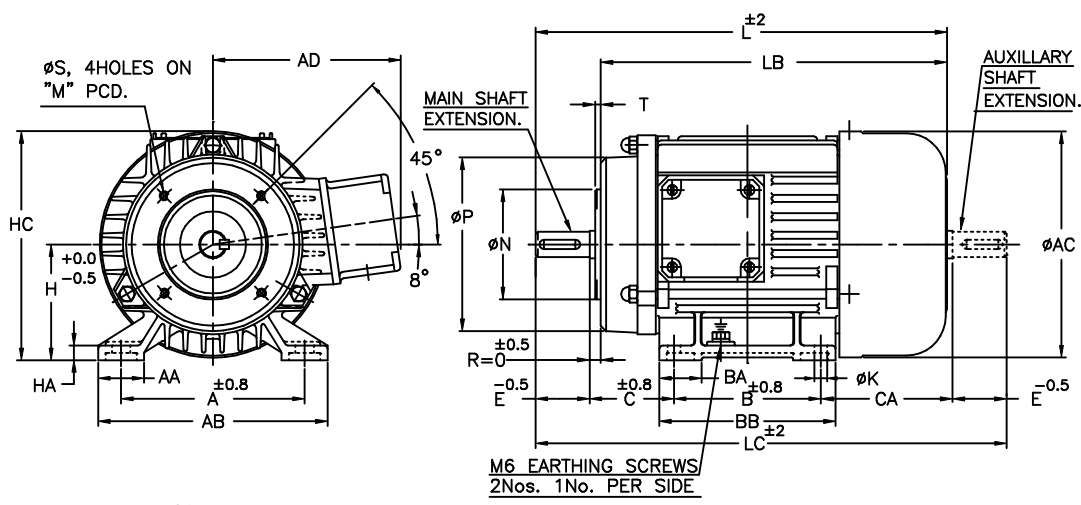


UNINTENTIONED TOLERANCES

LINEAR DIMENSIONS (UP TO MACHINED) TOL.	0	6	315	1000
ABOVE	0	6	315	1000
ANGLES	± 1/2°			

ALL INFORMATION CONTAINED IN THIS DOCUMENT IS CONFIDENTIAL AND THE PROPERTY OF KIRLOSKAR ELECTRIC CO.LTD. REPRODUCING OF THESE IN ANY FORM IS TO BE DONE WITH THE SPECIFIC PERMISSION OF THE COMPANY.

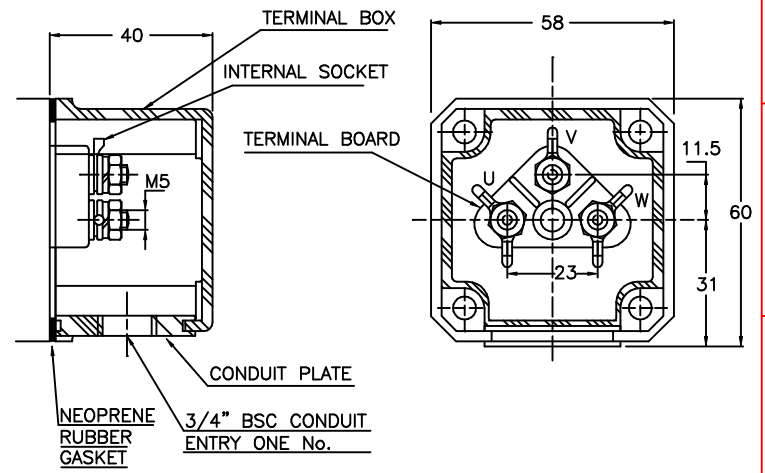
DIMENSIONAL DRAWING



DETAILS OF MAIN & AUXILIARY SHAFT EXTENSION

- NOTE :**
1. DIMENSIONS ARE AS PER IS:1231 & 2223
 2. DEGREE OF PROTECTION: IP:55.
 3. TOLERANCE ON 'd' : j6. TOLERANCE ON 'n' : j6.
 4. PROTECTED CENTRE HOLE AT SHAFT EXTENSION AS PER IS:2540. "M4 X 16" FOR 'D'- Ø11 "M5 X 12" FOR 'D'- Ø14
 5. TERMINAL BOX CAN BE ROTATABLE THROUGH 360° IN STEPS OF 90°.
 6. KEY & KEYWAY ARE AS PER IS:2048 & TOLERANCE ON KEYWAY IS P9.

TERMINAL BOX ARRANGEMENT



NOTE: MAX. CABLE SIZE : MAIN-1x3Cx4 sqmm.

SL. NO.	FRAME	A	AA	AB	AC	AD	B	BA	BB	C	CA	D	E	F	GA	GD	H	HA	HC	K	L	LB	LC	M	N	P	S	T
1	FCPM 63	100	25	125	123	105	80	23	96	40	72	11	23	4	12.5	4	63	8	124	7	210	187	238	75	60	90	M5	2.5
2	FCPM 71	112	25	137	140	115	90	28	106	45	70	14	30	5	16	5	71	8	140	7	233	203	265	85	70	105	M6	2.5

Z122603100JR

SURFACE ROUGHNESS (MAX) AS PER KSD-02-027

RM	50	12.5	25	1.6	3.2	6.3	0.2	0.4	0.8	0.025	0.05	0.1
OLD	✓	✓	✓	✓	✓	✓	✓	✓	✓	✓	✓	✓
NEW	✓	✓	✓	✓	✓	✓	✓	✓	✓	✓	✓	✓

UC: CHAM: UNINTENTIONED

REV.	1	ZONE	-	DCN.No.	0122209	BRIEF RECORD	REDRAWN IN A NEW FORMAT	Sd/-	10/01/09	DATE	PRINTS ISSUED TO	QA MARKETING PRODUCTION
8	7	6	5									

THIS SUPERSEDES FROM dt AS PER DCN No.....
 THIS SUPERSEDED BY FROM dt AS PER DCN No.....

MATERIAL SPECIFICATION	RAW MATERIAL SIZE	WEIGHT kg	SCALE	
-	-	RM FIN.	N.T.S.	
CASTING/FAB REF.		No.P.S.:-	DRAWN	
USED ON		sd/-	CHECKED	STANDARD
FCPM63 & 71		dt10/01/09	sd/-	APPROVED
TITLE:		dt10/01/09	sd/-	dt10/01/09
DIMENSION SHEET		dt10/01/09	sd/-	dt10/01/09
KIRLOSKAR ELECTRIC COMPANY LTD. HUBLI-580030 (INDIA)		32260398R1		
		SHEET ONE OF ONE		

FORM No. 02 201 02B (ISSUE 7)